

WAT-660D (G3.8) 1/4" Miniature Monochrome Camera

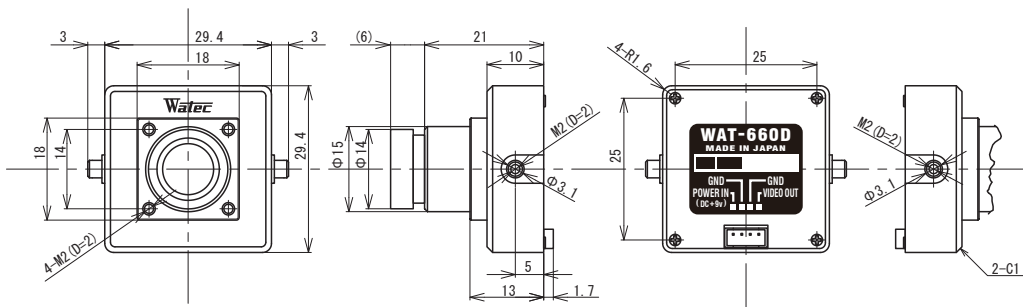
Compact square camera with built-in lens



Key features

- Versatile use for limited space, general surveillance, embedded system
 - Electric Iris, AGC and BLC
 - Various optional M13 lenses available
- ※Glass lenses and pinhole lens are not interchangeable

Dimensions



Specifications

Video standard	NTSC	PAL
Pick-up element	1/4 inch interline transfer CCD image sensor	
Number of total pixels	537(H) × 505(V)	537(H) × 597(V)
Number of effective pixels	510(H) × 492(V)	500(H) × 582(V)
Unit cell size	7.15 μm(H) × 5.55 μm(V)	7.3 μm(H) × 4.7 μm(V)
Synchronizing system	Internal	
Scanning system	2:1 interlace	
Video output	Composite video, 1.0 V(p-p), 75 Ω (Unbalanced)	
Resolution (H)	More than 400TVL (Center)	
Minimum illumination	0.06 lx F2.0 (AGC ON)	
S/N	More than 50dB (AGC=5dB, γ=1.0)	
AE mode	1/60 - 1/100000 sec.	1/50 - 1/100000 sec.
AGC	5 - 32dB	
Gamma characteristics	γ ≒ 0.45	
Back light compensation	ON	
Power supply	DC+9V±10%	
Power consumption	0.86W (95mA)	
Operating temperature	-10 - +40°C	
Storage temperature	-30 - +70°C	
Operating / Storage humidity	95% RH or less (Without condensation)	
Lens mount	M13 P=1.0	
Standard lens	3820B-13 (f3.8 F2.0)	
Weight	Approx. 30g	
Accessories	K-59 (Cable)	

Accessories Options

