



SUNPOWER TECHNOLOGY CORP.
 16F-1, No.150, Jian Yi Rd., Chung Ho City, Taipei Hsien, Taiwan, R.O.C.
 TEL: 886-2-8226-3100 FAX: 886-2-8226-3111
 http://www.sunpower.com.tw
 E-mail: sunpower@sunpower.com.tw

SPX-6200A1 / SPX-6200P1

200W, Six Output

For Industrial 1U System

Auto Sensing / Active P.F.C Function



100 x 180 x 40.5mm
 3.94 x 7.08 x 1.60inch



Features:

- * AC input 115V / 230V Auto sensing: SPX-6200A1
- * Universal full range AC input with active PFC, P.F.> 0.9 (SPX-6200P1)
- * +3.3V, +5V main output remote sensing (SPX-6200P1)
- * Remote control power ON/OFF
- * Over load, over voltage & short circuit protection
- * Built in EMI filter, low ripple noise
- * Built-in long life ball bearing fan
- * 100% 50°C burn-in test
- * Meet Intel ATX 2.01 / ATX2.03 / ATX 12V / EPS
- * UL, cUL, TUV, ,CB, CE certified
- * 1 years warranty

Specification:

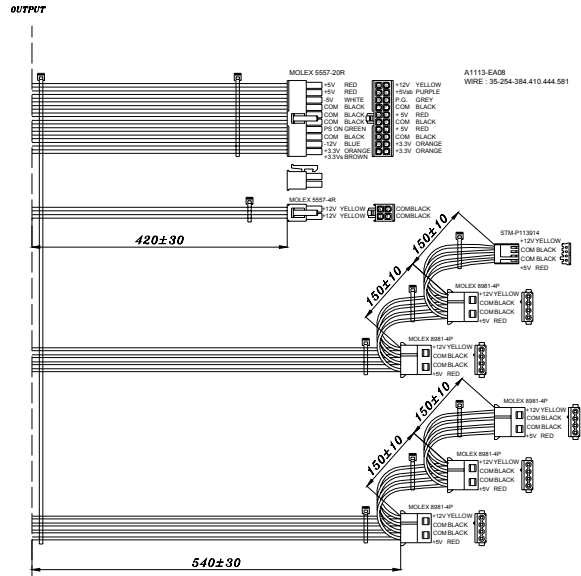
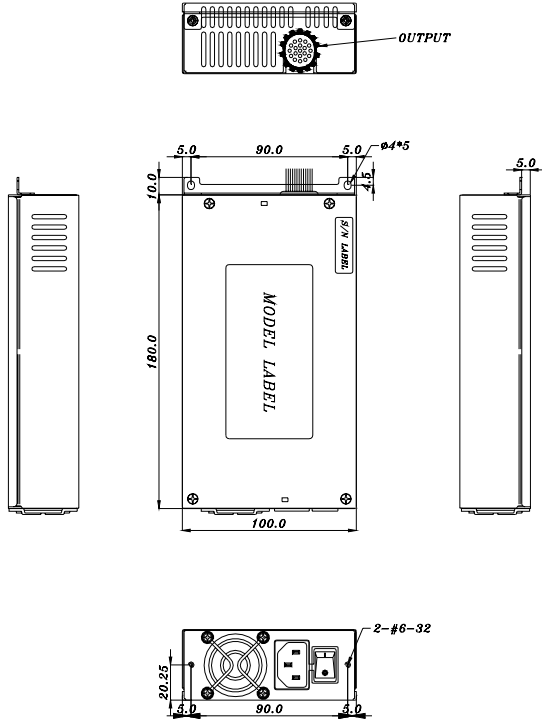
INPUT	Voltage	SPX-6200A1	90 ~ 132 V AC@115V, 180 ~ 264 VAC@230V, auto sensing.					
		SPX-6200P1	Universal input 90 ~ 264 VAC.					
	Frequency		47 ----- 63 Hz.					
	Current	SPX-6200A1	<5.0A @ 115V AC input, <3.0A @ 230V AC input.					
		SPX-6200P1	<3.0A @ 100V AC input.					
	Inrush Current		<30A@115V / <60A@230V AC input.					
Leakage Current		<1.5mA@264V AC input						
OUTPUT	Voltage		V1	V2	V3	V4	V5	V6
			+3.3V	+5V	+12V	-5V	-12V	+5Vsb
	Min. Load	SPX-6200A1	0A	0.5 A	0.2A	0A		
		SPX-6200P1	0A	1.5 A	0.3 A	0A		
	Max. Load		15A	25A	13A	0.5A	1A	2A
	Regulation	SPX-6200A1	±5%	+5/-4%	±5%		+8/-10%	±5%
		SPX-6200P1	±5%		+7/-5%	±5%	+8/-5%	±5%
	Ripple Noise (MAX.)	SPX-6200A1	50mV		120mV	70mV	240mV	100mV
SPX-6200P1					50mV	120mV	50mV	
Efficiency (TYP.)		SPX-6200A1: 70%; SPX-6200P1: 65%						
Max Power		+3.3V & +5V max 130W, total output max 200W						
PROTECTION	Over Voltage Protection		+3.8V~+4.6V	+5.8V~+7.0V	+13.8~+17.5V	---	---	---
	Over Load Protection	SPX-6200A1	Over 105% ~ 180% of rating, shutdown.					
		SPX-6200P1	Over 105% ~ 180% of rating, shutdown and latch off.					
	Short Circuit Protection		Shutdown.					
OTHERS	Rise time		SPX-6200A1: <20mS; SPX-6200P1: <60mS					
	Hold up time		>20mS@230V					
	TTL Signal		Power Good Signal, PS-ON Signal					
	Cooling		Built-in a 10 CFM DC ball bearing fan.					
Environment	Temperature		Operating: -10~70°C; De-rating: 45°C ~70°C : 2.5%/°C. Storage: -10~+75°C					
	Humidity		Operating: 20% ~ 85%; Storage: 10% ~ 95% (non condensing)					
M.T.B.F.		SPX-6200A1: 166K hours; SPX-6200P1: 143K hours						
SAFETY		SPX-6160A1 : UL 60950-1, CSA C22.2 No.60950-1, TUV EN 60950-1, IEC 60950-1, EMKO-TSE (74-SEC)207/94 approved						
		SPX-6160P1 : UL 60950 3 rd , CSA C22.2 No. 60950 3 rd , TUV EN 60950, IEC 60950, EMKO-TSE (74-SEC) 207/94 approved.						
EMC	EMI Standards		EN 55022 CLASS B : EN 61000-3-2,3 · FCC CFR 47 PART 15 CLASS B · CNS 13438 CLASS B. (EN 61000-3-2,3 only for SPX-6200P1.)					
	EMS Standards		EN 55024 : EN 61000-4-2,3,4,5,6,8,11.					



SUNPOWER TECHNOLOGY CORP.
 16F-1, No.150, Jian Yi Rd., Chung Ho City, Taipei Hsien, Taiwan, R.O.C.
 TEL: 886-2-8226-3100 FAX: 886-2-8226-3111
<http://www.sunpower.com.tw>
 E-mail: sunpower@sunpower.com.tw

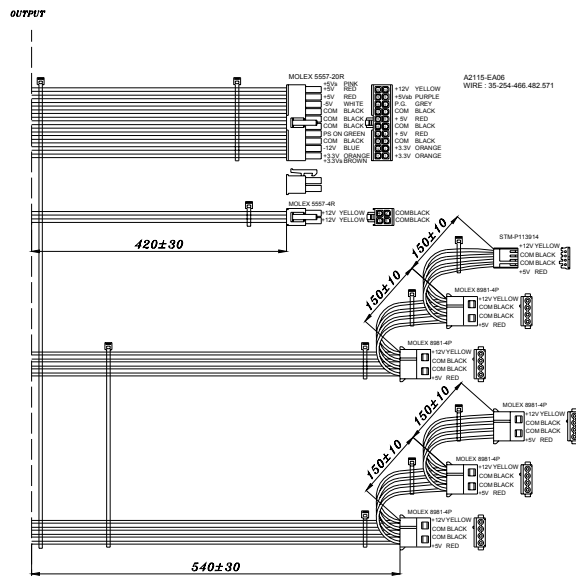
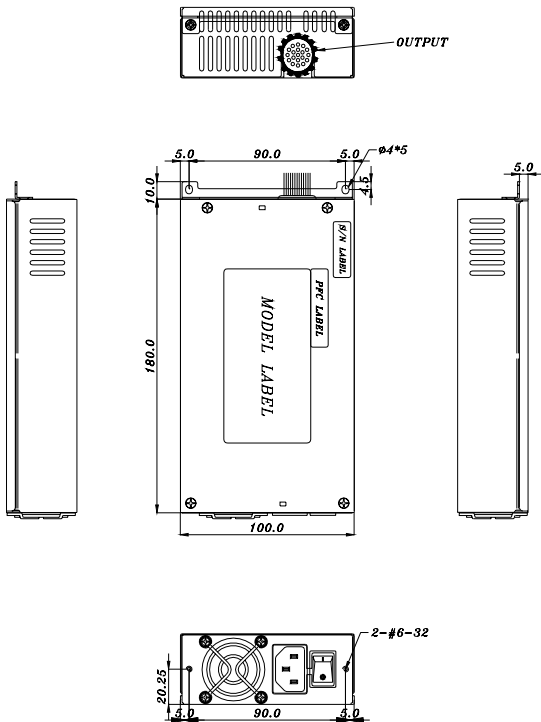
Dimension:

SPX-6200A1



UNIT : mm.

SPX-6200P1



UNIT : mm.